



220 Highway 14 (Windsor Road), P.O. Box 80,
 Chester, Nova Scotia, Canada, B0J1J0
Phone: 902-275-3591 **Fax:** 902-275-5014
Email: sales@hawboldt.ca

6mT Umbilical Winch

Hydraulic

APPLICATION

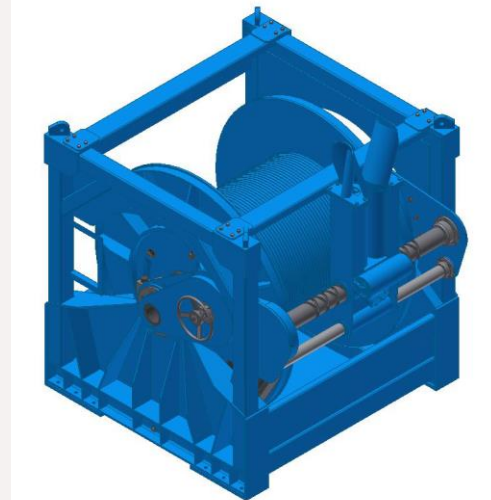
Overboard deployment of work class ROVs and scientific equipment

FEATURES

- 6 mT winch
- Up to 4000m umbilical
- ROV umbilical winch with Lebus shell, acme screw levelwind and hollow stubshaft
- 100 HP dual hydraulic power unit with submersible pump

OPTIONS

- DnV approved lifting slings
- DnV Certification
- Sheaves sized for customer cables
- Remote control console
- Cold temperature steel
- 10mT version available



Specifications / Performance

Winch Pull (Bare Drum)	19,720 lbs (8,750 kg) @ 107 ft/min (32.6 m/min)
Winch Pull (Full Drum)	13,230 lbs (6,010 kg) @ 160 ft/min (48.8 m/min)
HPU	168" L x 96" H
Cable Capacity	14,750' of 1.55" dia cable (2,500 m of 29.5 mm)
Drum Size	49" barrel x 86" dia. Flanges xx 50.3" wide
Dimensions	104" L x 94" W x 118" H
Winch Weight	28,000 lbs (without umbilical)